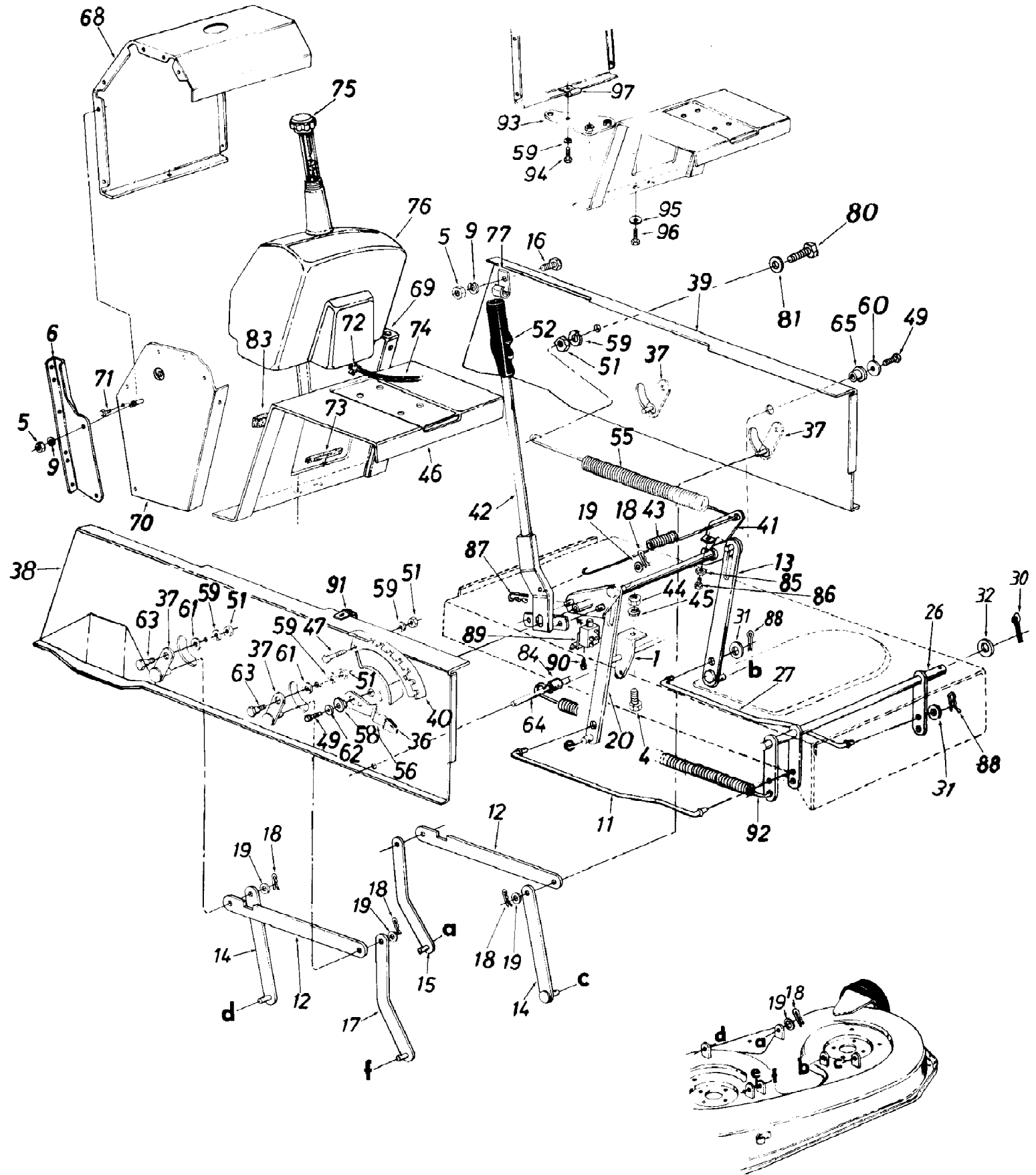


138-666-190 LT-120 (1988)  
38" Deck Lift Assembly

Page 1 of 22



138-666-190 LT-120 (1988)  
38" Deck Lift Assembly

Page 2 of 22

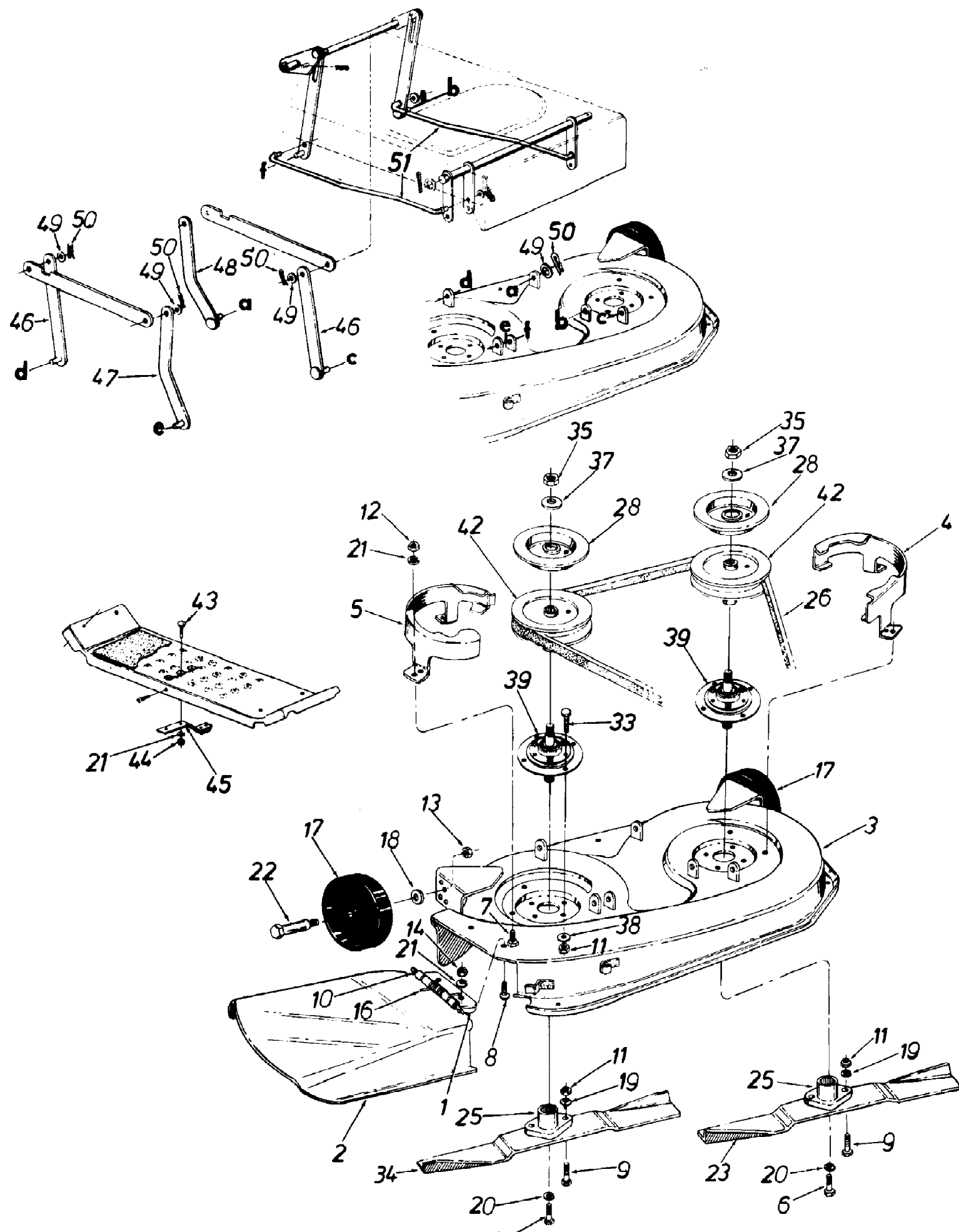
| Ref # | Part Number | Qty | S/P/F | Description                               |
|-------|-------------|-----|-------|---|
| 1     | 16181       | 1   |       | Spring Hanger Bracket                     |
| 4     | 710-0258    | 1   | S     | Hex Bolt 1/4-20 x .62n Lg.                |
| 5     | 712-0267    | 1   | S     | Hex Nut 5/16-18 Thd.                      |
| 6     | 17078       | 1   | F     | Mounting Bracket-R.H.                     |
|       | 17077       | 1   |       | Mounting Bracket-L.H. (Not Shown)         |
| 9     | 736-0119    | 1   | S     | L-Wash. 5/16" I.D.                        |
| 11    | 711-0790    | 1   | S     | Stabilizer Rod                            |
| 12    | 09735       | 1   |       | Connecting Rod 3/16 x 1 x 12.5            |
| 13    | 14802       | 1   | S     | Deck Lift Link Ass'y.                     |
| 14    | 14804       | 1   |       | Deck Hanger Link Ass'y.                   |
| 15    | 15925       | 1   |       | Deck Hanger Link Ass'y.                   |
| 16    | 710-0118    | 1   | S     | Hex Bolt 5/16-18 x .75" Lg.               |
| 17    | 14800       | 1   | S     | Deck Hanger Link Ass'y.- (Dog Leg)        |
| 18    | 714-0101    | 1   | S     | Inter. Cotter Pin 1/2" Dia.               |
| 19    | 736-0160    | 1   | S     | FI-Wash. .531 I.D. x .93" O.D.            |
| 20    | 14802       | 1   | S     | Deck Lift Link Ass'y.                     |
| 26    | 16234       | 1   |       | Stabilizer Shaft Ass'y.                   |
| 27    | 711-0790    | 1   | S     | Stabilizer Rod                            |
| 30    | 714-0470    | 1   | S     | Cotter Pin 1/8" Dia. x 1.25" Lg.          |
| 31    | 736-0117    | 1   | S     | FI-Wash .385" 1 D 0 x .620" O.D.          |
| 32    | 736-0156    | 1   | /P    | FI-Wash. 635" I.D. x 1.12" O.D.           |
| 36    | 08540       | 1   | /P    | Knob-Height Adj.                          |
| 37    | 09721       | 1   |       | Pivot Link Ass'y.                         |
| 38    | 14602       | 1   | S     | Side Panel Upper Frame-R.H.               |
| 39    | 14603       | 1   |       | Side Panel Upper Frame-L.H.               |
| 40    | 16462       | 1   |       | Index Brkt. (Deck Lift)                   |
| 41    | 17154       | 1   |       | Lift Shaft Ass'y. (Incl. Ref. 85 & 86)    |
| 42    | 16465       | 1   | S     | Lift Handle Brkt. Ass'y.                  |
| 43    | 732-0573    | 1   |       | Ext. Spring                               |
| 44    | 712-0287    | 1   | S     | Hex Nut 1/4-20 Thd.                       |
| 45    | 736-0329    | 1   | S     | L-Wash. 1/4" I.D.                         |
| 46    | 17226       | 1   |       | Hitch Plate                               |
| 47    | 710-0118    | 1   | S     | Hex Bolt 5/16-18 x 75n Lg.                |
| 49    | 710-0604    | 1   | S     | Hex Wash. TT-Tap Scr. 5/16-1 8 x .62" Lg. |
| 51    | 712-0267    | 1   | S     | Hex Nut 5/16-18 Thd.                      |
| 52    | 720-0157    | 1   | S     | Grip                                      |
| 55    | 732-0307    | 1   | S     | Ext. Spring .99" Dia. x 11.00" Lg.        |
| 56    | 732-0412    | 1   | S     | Deck Lift-Down Stop                       |
| 58    | 748-0176    | 1   |       | Flange Brg. 630" I.D.                     |
| 59    | 736-0119    | 1   | S     | L-Wash. 5/16" I.D.                        |
| 60    | 736-0231    | 1   | S     | FI-Wash. .344" I.D. x 1.125" O.D.         |
| 61    | 736-0264    | 1   | S     | FI-Wash. 344" I.D. x .62" O.D. x .063     |
| 62    | 736-0231    | 1   | S     | FI-Wash. .344" I.D. x 1.125" O.D.         |
| 63    | 738-0140    | 1   | S     | Shld. Bolt .437" Dia. x .180              |
| 64    | 738-0526    | 1   |       | Running Board Rod                         |
| 65    | 741-0313    | 1   | S     | Flange Brg. .632" I.D.                    |
| 68    | 16238       | 1   |       | Gas Tank Housing-Main Panel               |
| 69    | 17083       | 1   | S     | Side Panel-L.H. Gas Tank                  |
| 70    | 17082       | 1   |       | Side Panel-R.H. Gas Tank                  |
| 71    | 710-0351    | 1   | /P    | Truss. Mach. B-Tap Scr. #10 x .50" Lg.    |
| 72    | 726-0207    | 1   |       | Hose Clamp-.406" Dia.                     |
| 73    | 731-0511    | 1   | /P    | Trim Strip-5n Lg.                         |
| 74    | 751-0173    |     |       |   |

138-666-190 LT-120 (1988)  
38" Deck Lift Assembly

Page 3 of 22

| Ref # | Part Number | Qty | S/P/F | Description                               |
|-------|-------------|-----|-------|---|
| 75    | 751-0226    | 1   | S     | Gas Tank Cap                              |
| 76    | 751-0403    | 1   |       | Gas Tank                                  |
| 77    | 726-0175    | 1   | /P    | Hose Clamp                                |
| 80    | 710-0959    | 1   | /P    | Hex Bolt 5/16-18 x 1.50" Lg.              |
| 81    | 736-0159    | 1   | S     | Fl-Wash. .344n I.D. x .875" O.D.          |
| 83    | 722-0157    | 2   |       | Foam Strip 3/8" x 1-1/8" x 1/2" Lg.       |
| 84    | 711-0425    | 1   |       | Spacer .523" I.D. x 640n O.D. x 1.95" Lg. |
| 85    | 712-3007    | 1   | /P    | Hex Jam Nut 5/16-18 (Grade 5)             |
| 86    | 710-0602    | 1   | /P    | Hex Wash. Hd. Tap Scr. 5/16-18 x 1" Lg.   |
| 87    | 714-0145    | 1   | S     | Internal Cotter Pin 3/8" Dia.             |
| 88    | 714-0111    | 1   | S     | Cotter Pin 3/32" Dia.                     |
| 89    | 725-0803    | 1   | S     | Safety Switch                             |
| 90    | 710-0351    | 1   | /P    | Truss Mach. Scr. #10 x .5" Lg.            |
| 91    | 726-0175    | 1   | /P    | Clamp                                     |
| 92    | 732-0530    | 1   |       | Ext. Spring 13.25" Lg.                    |
| 93    | 17166       | 1   |       | Hitch Bar Ass'y.                          |
| 94    | 710-0376    | 1   | /P    | Hex Bolt 5/16-18 x 1.0" Lg. (Grade 5)     |
| 95    | 736-0105    | 1   | /P    | Bell-Wash. .385" 1.0" x .88"              |
| 96    | 710-0623    | 1   | /P    | Hex Wash. Tap-Scr. 3/8-16 x .75" Lg.      |
| 97    | 726-0211    | 1   | S     | U-Nut 5/16-18 Thd.                        |

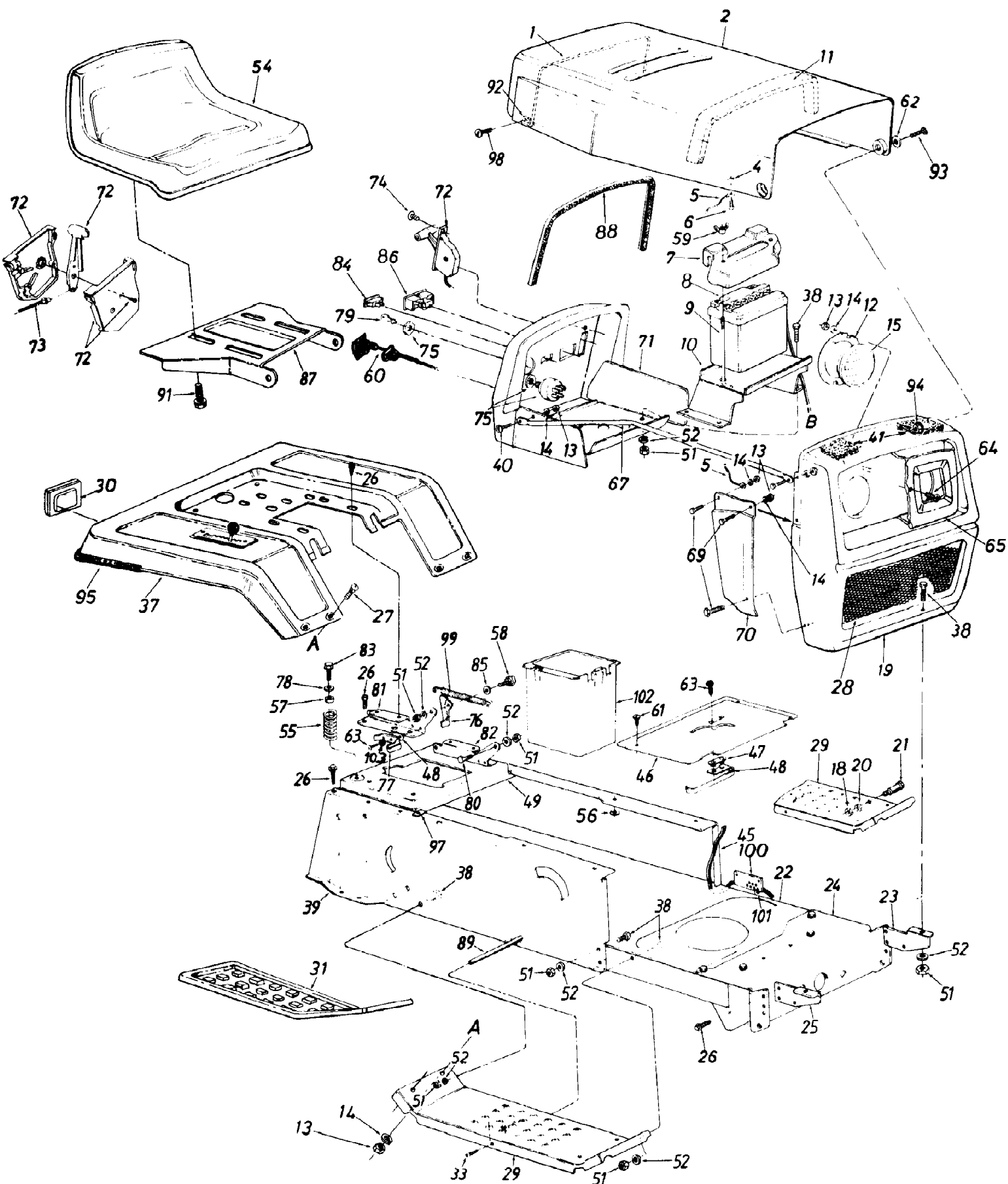
138-666-190 LT-120 (1988)  
38" Deep Mowing Deck Assembly



138-666-190 LT-120 (1988)  
38" Deep Mowing Deck Assembly

Page 5 of 22

| Ref # | Part Number | Qty | S/P/F | Description                                   |
|-------|-------------|-----|-------|---|
| 1     | 16521       | 1   |       | Chute Bracket                                 |
| 2     | 16566       | 1   | S     | Chute Deflector                               |
| 3     | 16575       | 1   | S     | 38" Deep Deck Ass'y.                          |
|       | 801-6576    | 1   | S     | 38" Deep Deck Ass'y. Comp. (For Service Only) |
| 4     | 16607       | 1   | S     | Belt Guard Deck-L.H.                          |
| 5     | 16608       | 1   | S     | Belt Guard Deck-R.H.                          |
| 6     | 710-0152    | 1   | S     | Hex Bolt 3/8-24 x 1.00"                       |
| 7     | 710-0195    | 1   | S     | Hex Bolt 1/4-28 x .62"                        |
| 8     | 710-0255    | 1   | S     | Truss Mach. Scr. 1/4-20 x .751"               |
| 9     | 710-0888    | 1   | /P    | Hex Bolt Special 5/16-24 x 1.0"               |
| 10    | 711-0792    | 1   | S     | Hinge Pin                                     |
| 11    | 712-0123    | 1   | /P    | Hex Nut 5/16-24 Thd.                          |
| 12    | 712-0138    | 1   | S     | Hex Nut 1/4-28 Thd.                           |
| 13    | 712-0181    | 1   | S     | Hex Top L-Nut 3/8-16 Thd.                     |
| 14    | 712-0298    | 1   | S     | Hex Jam Nut 1/4-20 Thd.                       |
| 16    | 732-0542    | 1   | S     | Torsion Spring                                |
| 17    | 734-0973    | 1   | /P    | Deck Wheel-5"                                 |
| 18    | 736-0105    | 1   | /P    | Bell-Wash. .40" I.D. x .88" O.D.              |
| 19    | 736-0119    | 1   | S     | L-Wash. 5/16" I.D.                            |
| 20    | 736-0217    | 1   | S     | L-Wash. 3/8" I.D.-H.D.                        |
| 21    | 736-0329    | 1   | S     | L-Wash. 1/4" I.D.                             |
| 22    | 738-0373    | 1   | S     | Shld. Bolt .498" Dia. x 1.53"                 |
| 23    | 742-0472    | 1   | S     | High-Lift Blade-L.H.                          |
| 25    | 748-0300    | 1   |       | Blade Adapter                                 |
| 26    | 754-0329    | 1   | S     | 5L V-Belt                                     |
| 28    | 09322       | 1   |       | Brake Disc                                    |
| 33    | 710-1013    | 1   | /P    | Rib Neck Bolt 5/16-24 x 1.05" Lg.             |
| 34    | 742-0473    | 1   | S     | High-Lift Blade-R.H.                          |
| 35    | 712-0318    | 1   | /P    | Hex Jam Nut 5/8-18 Thd.                       |
| 37    | 736-0158    | 1   | S     | L-Wash. 5/8" I.D.                             |
| 38    | 736-0119    | 1   | S     | L-Wash. 5/16" I.D.                            |
| 39    | 717-0906    | 1   | S     | Blade Spindle Ass'y. Comp. (Incl. Ref. 33)    |
| 42    | 756-0486    | 1   |       | 5" Dia. Pulley                                |
| 43    | 710-0134    | 1   | /P/F  | Carr. Bolt 1/4-20 x .62"                      |
| 44    | 712-0287    | 1   | S/F   | Hex Nut 1/4-20 Thd.                           |
| 45    | 761-0168    | 1   | S/F   | Blade Brake Ass'y.                            |
| 46    | 14804       | 1   | F     | Link Deck Hanger Ass'y.                       |
| 47    | 14800       | 1   | S/F   | Link Deck Hanger Ass'y. (Dog Leg)             |
| 48    | 15925       | 1   | F     | Link Deck Hanger Ass'y.-L H.                  |
| 49    | 736-0160    | 1   | S/F   | FI-Wash. .53" I.D. x .93" O.D.                |
| 50    | 714-0101    | 1   | S/F   | Inter. Cotter Pin .50" Dia.                   |
| 51    | 711-0790    | 1   | S/F   | Stabilizer Rod                                |



138-666-190 LT-120 (1988)  
Body Assembly

Page 7 of 22

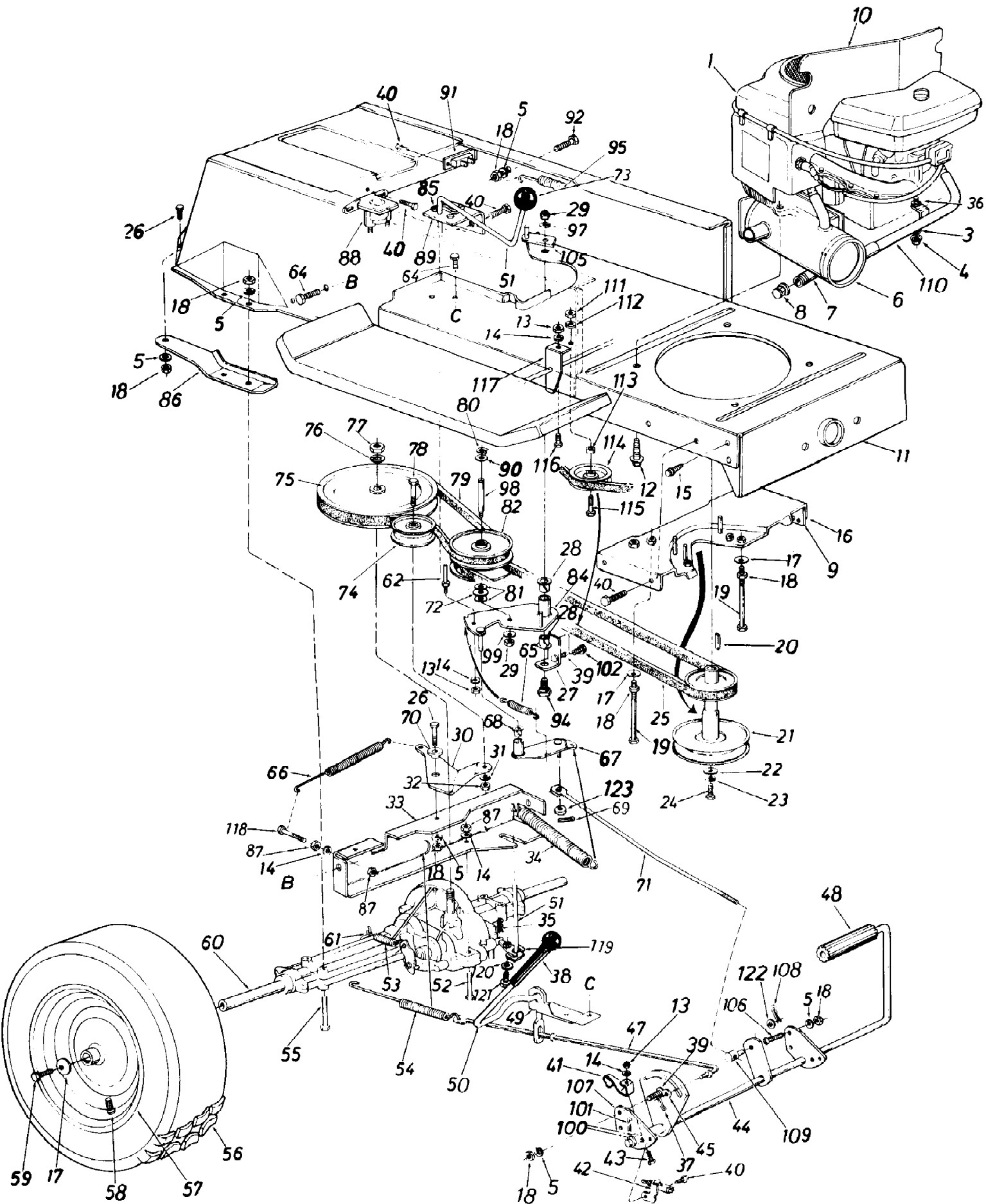
| Ref # | Part Number | Qty | S/P/F | Description                               |
|-------|-------------|-----|-------|---|
| 1     | 732-0559    | 1   |       | Hood Spring                               |
| 2     | 16646       | 1   |       | Hood                                      |
| 4     | 736-0931    | 1   | /P    | Fl-Wash..203" I.D.                        |
| 5     | 723-0302    | 1   |       | Hood Stop 7" Lg.                          |
| 6     | 728-0123    | 1   | S     | Pop Rivet                                 |
| 7     | 731-0707    | 1   |       | Battery Cover                             |
| 8     | 725-0453    | 1   | S     | 12 Volt Battery                           |
| 9     | 711-0222    | 1   | S     | Battery Hold Down Rod                     |
| 10    | 12747       | 1   |       | Battery Bracket                           |
| 11    | 722-0138    | 1   |       | PVC Foam-Strip                            |
| 12    | 09960       | 1   |       | Headlight Retainer                        |
| 13    | 712-0287    | 1   | S     | Hex Nut 1/4-20 Thd.                       |
| 14    | 736-0329    | 1   | S     | L-Wash. 1/4" I.D.                         |
| 15    | 725-0222    | 1   | S     | Headlight                                 |
| 18    | 712-0798    | 1   | /P    | Hex Nut 3/8-16 Thd.                       |
| 19    | 14787       | 1   |       | Grille Ass'y.                             |
| 20    | 736-0169    | 1   | S     | L-Wash. 3/8" I.D.                         |
| 21    | 738-0145    | 1   | S     | Shld. Bolt .50" Dia. x .84                |
| 22    | 15930       | 1   |       | Lower Frame                               |
| 23    | 16643       | 1   |       | Grille Mount Brkt.                        |
| 24    | 14619       | 1   |       | Front Pivot Brkt.                         |
| 25    | 16644       | 1   |       | Grille Mount Brkt.                        |
| 26    | 710-0726    | 1   | /P    | Hex Wash. Hd. AB-Tap Scr. 5/16 x .75" Lg. |
| 27    | 710-0167    | 1   | /P    | Carriage Bolt 1/4-20 x .5" Lg.            |
| 28    | 731-0881    | 1   |       | Grille Insert                             |
| 29    | 14604       | 1   |       | Running Board (R.H. & L.H.)               |
| 30    | 730-0116    | 1   |       | Reflector                                 |
| 31    | 731-0909    | 1   | S     | Foot Pad-L.H.                             |
|       | 731-0910    | 1   | S     | Foot Pad-R.H.                             |
| 33    | 710-0323    | 1   | /P    | Truss Mach. Scr. 5/16-18 x .75" Lg.       |
| 37    | 17230       | 1   |       | Fender                                    |
| 38    | 710-0118    | 1   | S     | Hex Bolt 5/16-18 x .75" Lg.               |
| 39    | 14602       | 1   | S     | R.H. Side Frame                           |
| 40    | 710-0258    | 1   | S     | Hex Bolt 1/4-20 x .62" Lg.                |
| 41    | 722-0157    | 1   |       | Foam Strip                                |
| 45    | 14603       | 1   |       | L.H. Side Frame                           |
| 46    | 17286       | 1   | S     | Shift Cover                               |
| 47    | 725-0759    | 1   | S     | Reverse Safety Switch                     |
| 48    | 726-0222    | 1   | S     | Insulator Nut Plate                       |
| 49    | 17226       | 1   |       | Hitch Plate                               |
| 51    | 712-0267    | 1   | S     | Hex Nut 5/16-18 Thd.                      |
| 52    | 736-0119    | 1   | S     | L-Wash. 5/16" I.D.                        |
| 54    | 757-0338    | 1   | S     | Seat Ass'y.                               |
| 55    | 732-0588    | 1   |       | Compression Spring                        |
| 56    | 736-0607    | 1   | /P    | Ext. L-Wash. 5/16" I.D.                   |
| 57    | 722-0160    | 1   |       | Bushing                                   |
| 58    | 738-0296    | 1   | S     | Shld. Bolt.437" Dia. x .268"              |
| 59    | 712-0113    | 1   | S     | Wing Nut 1/4-20 Thd.-Plastic              |
| 60    | 746-0613    | 1   | S     | Choke Control 46" Lg.                     |
| 61    | 710-0351    | 1   | /P    | Truss Mach. Tap Scr. #10 x .50" Lg.       |
| 62    | 736-0413    | 1   | /P    | Washer .39" I.D. x .62" O.D.              |
| 63    | 710-0227    | 1   | /P    | Hex Wash. Hd. AB-Tap Scr. #8 x .50        |
| 64    | 710-0346    | 1   |       | Truss Mach. Scr. 1/4-20 x 1.5" Lg.        |

138-666-190 LT-120 (1988)  
Body Assembly

Page 8 of 22

| Ref # | Part Number | Qty | S/P/F | Description                              |
|-------|-------------|-----|-------|--|
| 65    | 731-0465    | 1   |       | Bezel                                    |
| 67    | 749-0673    | 1   |       | Grille Support Rod-L.H.                  |
|       | 749-0674    | 1   |       | Grille Support Rod-R.H.                  |
| 69    | 710-0255    | 1   | S     | Truss Hd. Scr. 1/4-20 x .75 Lg.          |
| 70    | 14748       | 1   |       | R.H.-Grille Side Panel                   |
|       | 14749       | 1   |       | L.H.-Grille Side Panel                   |
| 71    | 17301       | 1   |       | Dash Panel Ass'y.                        |
| 72    | 831-0823    | 1   | S     | Throttle Control Box Ass'y.              |
| 73    | 746-0634    | 1   | S     | Throttle Control Wire-35"                |
| 74    | 710-0779    | 1   | S     | Truss Mach. A8-Tap Scr. #10 x .5" Lg.    |
| 75    | 725-0267    | 1   | S     | Ignition Switch                          |
| 76    | 17239       | 1   | S     | Seat Lift Bracket                        |
| 77    | 725-1303    | 1   | S     | Spring Switch                            |
| 78    | 736-0159    | 1   | S     | FI-Wash. .344" I.D.                      |
| 79    | 725-0201    | 1   | S     | Ignition Key                             |
| 80    | 738-0155    | 1   | S     | Shld. Bolt .437" Dia. x .162"            |
| 81    | 17244       | 1   |       | Seat Pivot Brkt. Support-R.H.            |
| 82    | 17243       | 1   |       | Seat Pivot Brkt. Support-L.H.            |
| 83    | 710-0602    | 1   | /P    | Hex Hd. Tap Scr. 5/16-18 x 1" Lg.        |
| 84    | 725-0634    | 1   | S     | Light Switch                             |
| 85    | 736-0141    | 1   | S     | Spr-Wash. .445" I.D. x .75" O.D.         |
| 86    | 725-0925    | 1   | S     | Ammeter                                  |
| 87    | 15607       | 1   | S     | Seat Pivot Bracket                       |
| 88    | 731-0511    | 1   | /P    | Molding Strip 27" Lg.                    |
| 89    | 738-0526    | 1   |       | Running Board Rod                        |
| 91    | 710-0623    | 1   | /P    | Hex Wash. Hd. Tap Scr. 3/8-16 x .75" Lg. |
| 92    | 731-0895    | 1   |       | Hood Spring Retainer                     |
| 93    | 738-0724    | 1   | S     | Shld. Bolt .375 Dia. x .125              |
| 94    | 712-0380    | 1   |       | L-Nut 1/4-28 Thd.                        |
| 95    | 731-0511    | 1   | /P    | Trim Strip 31.0" Lg.                     |
| 97    | 726-0139    | 1   | /P    | Speed Nut #10Z                           |
| 98    | 710-0697    | 1   | /P    | Self-Tap Scr. .5" Lg.                    |
| 99    | 732-0581    | 1   | S     | Extension Spring 5.31 Lg.                |
| 100   | 16371       | 1   |       | Brake Cable Bracket                      |
| 101   | 726-0197    | 1   |       | Cable Tie                                |
| 102   | 731-0873    | 1   |       | Utility Box                              |
| 103   | 736-0426    | 1   |       | Fiber Washer                             |





138-666-190 LT-120 (1988)  
Drive Assembly

Page 10 of 22

| Ref # | Part Number | Qty | S/P/F | Description                                   |
|-------|-------------|-----|-------|---|
| 1     |             | 1   |       | Engine  |
| 3     | 736-0170    | 1   | S     | Special L-Wash. 5/16" I.D.                    |
| 4     | 712-0267    | 1   | S     | Hex Nut 5/16-18 Thd.                          |
| 5     | 736-0119    | 1   | S     | L-Wash. 5/16" I.D.                            |
| 6     | 751-0444    | 1   |       | Exhaust Muffler                               |
| 7     | 737-0164    | 1   | S     | Pipe Nipple                                   |
| 8     | 737-0143    | 1   | S     | Cap Oil Drain                                 |
| 9     | 16371       | 1   |       | Brake Cable Brk't.                            |
| 10    | 16215       | 1   |       | Heat Shield                                   |
| 11    | 15930       | 1   |       | Lower Frame Ass'y.                            |
| 12    | 710-0502    | 1   | S     | Hex Wash. Hd. TT-Tap Scr. 3/8-16 x 1.25" Lg.  |
| 13    | 712-0287    | 1   | S     | Hex Nut 1/4-20 Thd.'                          |
| 14    | 736-0329    | 1   | S     | L-Wash. 1/4" I.D.'                            |
| 15    | 710-0726    | 1   | /P    | Hex Wash. Hd. AB-Tap Scr. 5/16" x.75" Lg.     |
| 16    | 16219       | 1   |       | Belt Guard Brkt. Ass'y.                       |
| 17    | 736-0242    | 1   | /P    | Bell-Wash. .845'1 I.D. x .88"                 |
| 18    | 712-0267    | 1   | S     | Hex Nut 5/16-18 Thd.'                         |
| 19    | 710-0190    | 1   | /P    | Hex Bolt 5/16-18 x 4.00"                      |
| 20    | 714-0114    | 1   | S     | Sq. Key 1/4" x 1/4" x 2.00"                   |
| 21    | 756-0424    | 1   | S     | Engine Pulley                                 |
| 22    | 736-0322    | 1   | /P    | FI-Wash. 7/16" I.D. x 1.25"                   |
| 23    | 736-0171    | 1   | S     | L-Wash. 7/16" I.D.                            |
| 24    | 710-0757    | 1   | /P    | Hex Bolt 7/16-20 x 1.50" Lg.                  |
| 25    | 754-0280    | 1   | S     | Variable-Speed Belt                           |
| 26    | 710-0118    | 1   | S     | Hex Bolt 5/16-18 x .75" Lg.'                  |
| 27    | 16553       | 1   |       | Bearing Shaft Bracket Ass'y.                  |
| 28    | 741-0295    | 1   | S     | Flanged Nyliner Brg. 5/8" I.D. x .88" Lg.     |
| 29    | 712-0241    | 1   | /P    | Hex Nut 3/8-24 Thd.                           |
| 30    | 15891       | 1   | S     | Idler Bracket                                 |
| 31    | 736-0169    | 1   | S     | L-Wash. 3/8" I.D.                             |
| 32    | 712-0241    | 1   | /P    | Hex Nut 3/8-24 Thd.'                          |
| 33    | 15945       | 1   | S     | Transaxle Support Brkt.                       |
| 34    | 732-0459    | 1   | S     | Ext. Spring .94" O.D. x 6.7                   |
| 35    | 714-0149    | 1   | S     | Inter. Cotter Pin                             |
| 36    | 736-0204    | 1   | /P    | FI-Wash. .34" I.D. x .62" O.D. x .033         |
| 37    | 714-0507    | 1   | S     | Cotter Pin 3/32" Dia. x .75"                  |
| 38    | 720-0143    | 1   |       | Grip-Black                                    |
| 39    | 710-0323    | 1   | /P    | Truss Mach. Scr. 5/16-18 x .75" Lg.           |
| 40    | 710-0599    | 1   | /P    | Hex Wash. Hd. Self-Tap Scr. 1/4-20 x .50" Lg. |
| 41    | 732-0582    | 1   |       | Switch Actuator                               |
| 42    | 725-0577    | 1   |       | Safety Switch                                 |
| 43    | 710-0597    | 1   | /P    | Hex Bolt 1/4-20 x 1.0" Lg.                    |
| 44    | 16235       | 1   |       | Clutch & Brake Pedal Ass'y.                   |
| 45    | 736-0117    | 1   | S     | FI-Wash.                                      |
| 47    | 747-0519    | 1   |       | Brake Rod 20.9" Lg.                           |
| 48    | 735-0196    | 1   | S     | Foot Pad                                      |
| 49    | 15889       | 1   |       | Brake Lever Bracket                           |
| 50    | 15888       | 1   |       | Hill Holder Brake Handle                      |
| 51    | 16430       | 1   | S     | Shift Lever Ass'y.                            |
| 52    | 710-0559    | 1   |       | Hex Bolt 1/4-28 x 1.75" Lg.'                  |
| 53    | 732-0264    | 1   | S     | Ext. Spring .38" O.D. x 2.5                   |

138-666-190 LT-120 (1988)  
Drive Assembly

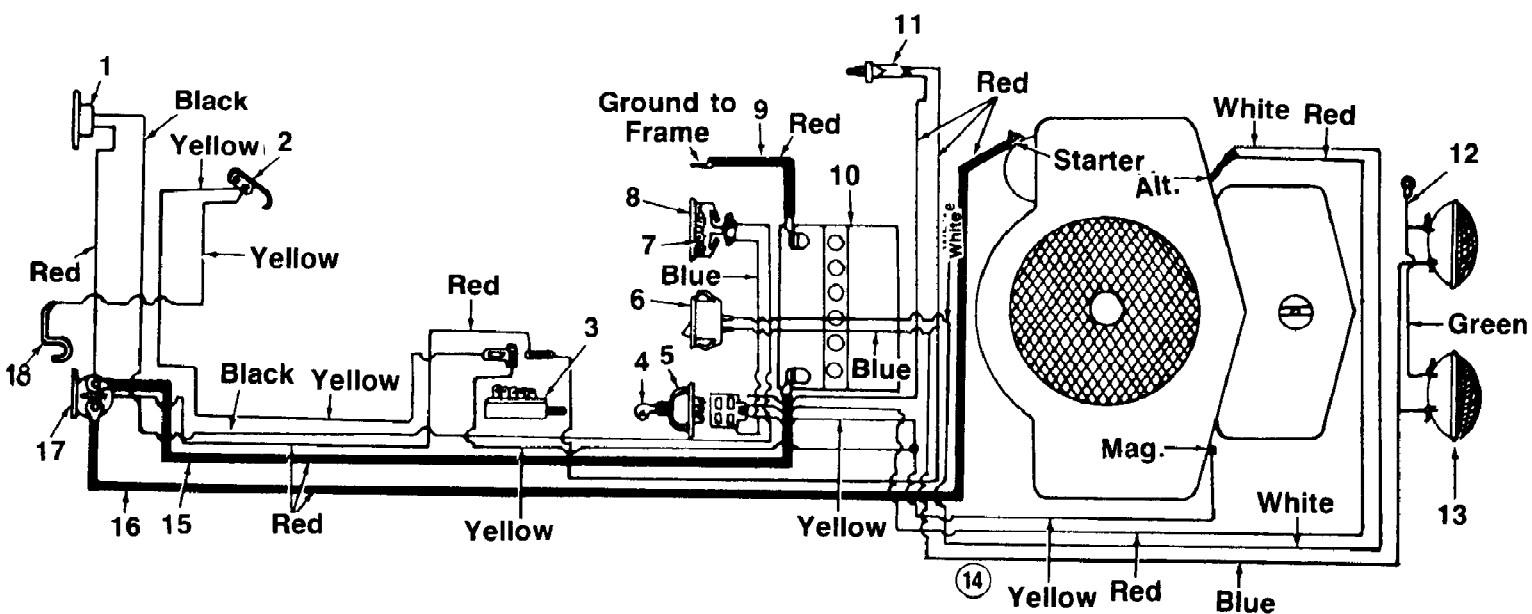
Page 11 of 22

| Ref # | Part Number | Qty | S/P/F | Description                              |
|-------|-------------|-----|-------|--|
| 54    | 732-0413    | 1   | S     | Ext. Spring .59 O.D. x 7.08"             |
| 55    | 710-0176    | 1   | /P    | Hex Bolt 5/16-18 x 2.                    |
| 56    | 734-0817    | 1   | /P    | Wheel Ass'y. Comp.                       |
|       | 734-0448    | 1   | /P    | Tire Only                                |
| 57    | 734-0603    | 1   | S     | Wheel Rim Only                           |
| 58    | 734-0255    | 1   | S     | Air Valve (Service Only)                 |
| 59    | 710-0627    | 1   | /P    | Hex Bolt 5/16-24 x .75 Lg.               |
| 60    | 717-1050    | 1   | S     | Transaxle Complete-R.H.                  |
| 61    | 732-0454    | 1   | S     | Brake Return Spring Anchor               |
| 62    | 711-0768    | 1   | S     | Belt Guard Pin 1/4-20 Thd.               |
| 64    | 710-0604    | 1   | S     | Hex Wash. TT-Tap Scr. 5/16 x .62 Lg.     |
| 65    | 732-0568    | 1   | S     | Ext. Spring                              |
| 66    | 732-0384    | 1   | S     | Ext. Spring .62 O.D. x 6.12              |
| 67    | 16554       | 1   |       | Variable Speed Torque Brkt. Ass'y.       |
| 68    | 741-0419    | 1   |       | Flanged Bearing                          |
| 69    | 714-0507    | 1   | S     | Cotter Pin 3/32 Dia.                     |
| 70    | 748-0234    | 1   | /P    | Shoulder Spacer .500 Dia. x.27 Lg.       |
| 71    | 747-0530    | 1   | S     | Speed Control Link                       |
| 72    | 741-0405    | 1   | S     | Truss Bearing .56 Dia. x 1 .25           |
| 73    | 720-0165    | 1   | S     | Ball Knob                                |
| 74    | 756-0437    | 1   | S     | FI-Idler Pulley 3.25 x .75               |
| 75    | 756-0374    | 1   | /P    | 1/2" "V"-Pulley 8.0 O.D. x.501" I.D.     |
| 76    | 736-0921    | 1   | S     | L-Wash. 1/2" I.D.                        |
| 77    | 712-0922    | 1   | /P    | Hex Jam Nut 1/2-20 Thd.                  |
| 78    | 710-0539    | 1   | /P    | Hex Bolt 3/8-24 x .75 Lg.                |
| 79    | 754-0281    | 1   | S     | Variable Speed Belt                      |
| 80    | 716-0114    | 1   | S     | Snap Ring .56 Dia.                       |
| 81    | 736-0355    | 1   | /P    | FI-Wash.                                 |
| 82    | 717-0800    | 1   | S     | Variable Speed Pulley Ass'y. 5 O.D.      |
| 84    | 16354       | 1   | S     | Variable Speed Brkt. Ass'y.              |
| 85    | 732-0525    | 1   |       | Comp. Spring Clip                        |
| 86    | 14770       | 1   |       | Transaxle Support Brkt.-R.H.             |
|       | 14769       | 1   | S     | Transaxle Support Brkt.-L.H. (Not Shown) |
| 87    | 712-0138    | 1   | S     | Hex Nut 1/4-28 Thd.                      |
| 88    | 725-0771    | 1   | S     | Solenoid                                 |
| 89    | 16429       | 1   |       | Shift Lever Bracket                      |
| 90    | 736-0414    | 1   | S     | Teflon Washer                            |
| 91    | 725-0459    | 1   | S     | Circuit Breaker                          |
| 92    | 710-0959    | 1   | /P    | Hex Bolt 5/16-18 x 1.50"                 |
| 94    | 738-0755    | 1   | S     | Shld. Bolt 3/8-24 x 3.12 Lg.             |
| 95    | 732-0307    | 1   | S     | Ext. Spring .99" O.D. x 11.0"            |
| 97    | 736-0105    | 1   | /P    | Bell-Wash. .38 I.D. x .88                |
| 98    | 738-0569    | 1   | S     | Shaft .56 Dia. x 3.875 Lg.               |
| 99    | 736-0331    | 1   | /P    | Bell-Wash. .39 I.D. x 1.12               |
| 100   | 736-0256    | 1   | S     | FI-Wash.                                 |
| 101   | 714-0507    | 1   | S     | Cotter Pin 3/32" Dia. x .75"             |
| 102   | 710-0604    | 1   | S     | Hex Wash. Hd. Scr. 5/16-18 x.62" Lg.     |
|       | 736-0231    | 1   | S     | FI-Wash. .34" I.D. x 1.12" O.D.          |
| 105   | 16067       | 1   |       | Belt Guard                               |
| 106   | 710-0118    | 1   | S     | Hex Bolt 5/16-18 x .75" Lg.              |
| 107   | 15835       | 1   |       | Pedal Bracket                            |
| 108   | 714-0507    | 1   | S     | Cotter Pin 3/32 x .75"                   |
| 109   | 711-0198    |     |       |  |

138-666-190 LT-120 (1988)  
Drive Assembly

Page 12 of 22

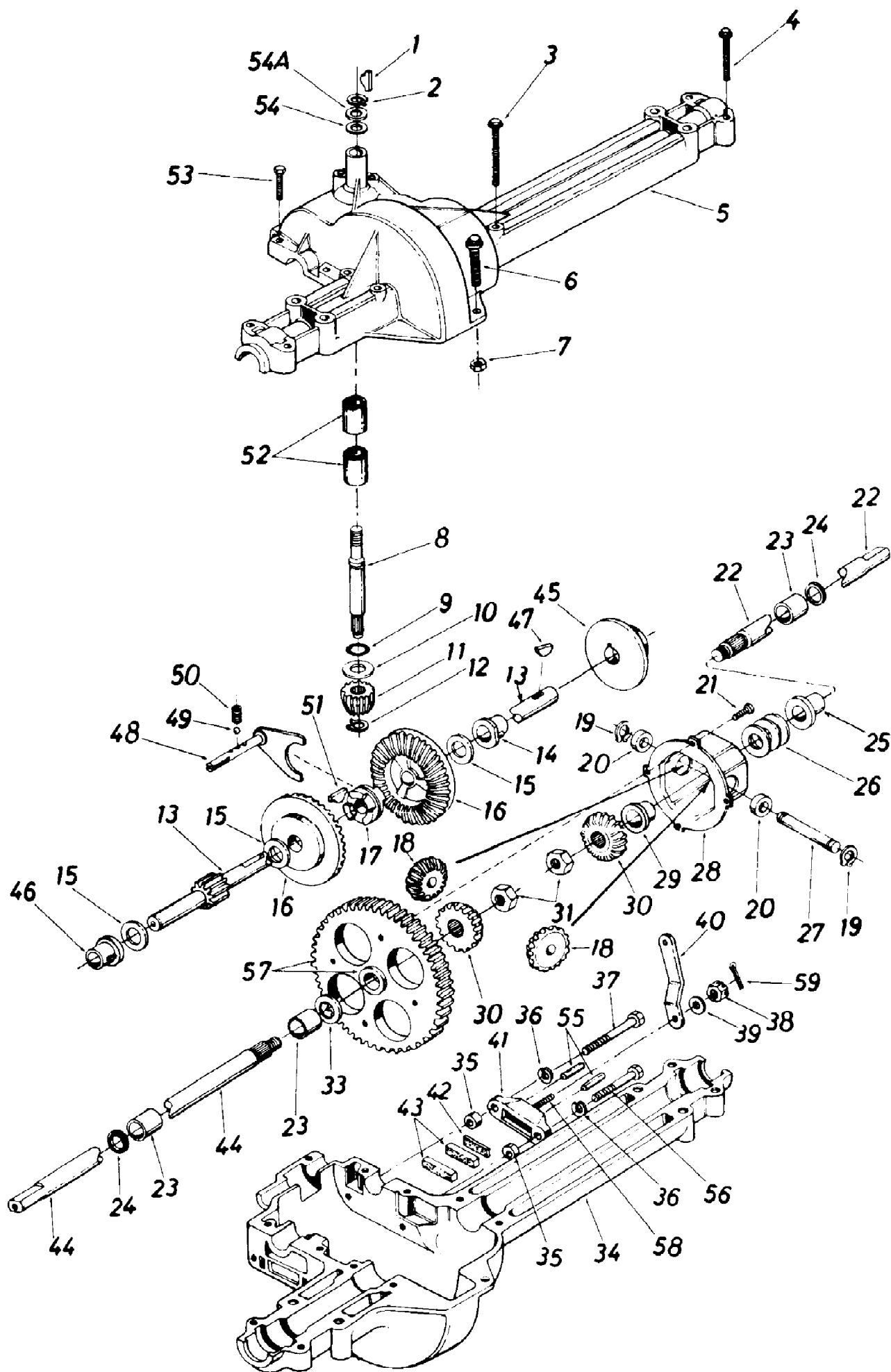
| Ref # | Part Number | Qty | S/P/F | Description                     |
|-------|-------------|-----|-------|---------------------------------|
| 110   | 751-0446    | 1   |       | Inlet Tube Ass'y.               |
| 111   | 712-0798    | 1   | /P    | Hex Nut 3/8"-16 Thd.            |
| 112   | 736-0169    | 1   | S     | L-Wash. 3/8" I.D.               |
| 113   | 736-0280    | 1   |       | FI-Wash. .390" I.D. x 1.12"     |
| 114   | 756-0217    | 1   | S     | FI-Idler w/Flanges 2.750        |
| 115   | 710-0427    | 1   | S     | Hex Bolt 3/8-16 x 2.00" Lg.     |
| 116   | 710-0258    | 1   | S     | Hex Bolt 1/4-20 x .62" Lg.      |
| 117   | 16181       | 1   |       | Spring Hanger Bracket           |
| 118   | 710-0428    | 1   |       | Hex Bolt 1/4-28 x 1.25" Lg.     |
| 119   | 16437       | 1   |       | Shift Lever Link Ass'y.         |
| 120   | 736-0270    | 1   | /P    | Bell-Wash. .265 I.D. x .75 O.D. |
| 121   | 710-0195    | 1   | S     | Hex Bolt 1/4-28 x .62" Lg.      |
| 122   | 736-0140    | 1   | S     | FI-Wash. .385" I.D. x .62" O.D. |
| 123   | 736-0275    | 1   | S     | FI-Wash. .34" I.D. x .68" O.D.  |



138-666-190 LT-120 (1988)  
Electrical System

Page 14 of 22

| Ref # | Part Number | Qty | S/P/F | Description               |
|-------|-------------|-----|-------|---------------------------|
| 1     | 725-0459    | 1   | S     | Circuit Breaker           |
| 2     | 725-0759    | 1   | S     | Spring Switch             |
| 3     | 725-0819    | 1   | S     | Safety Switch Dpst. (686) |
|       | 725-0803    | 1   | S     | Safety Switch (666)       |
| 4     | 725-0201    | 1   | S     | Ignition Key              |
| 5     | 725-0267    | 1   | S     | Ignition Switch           |
| 6     | 725-0634    | 1   | S     | Headlight Switch          |
| 7     | 722-0135    | 1   |       | Foam Strip                |
| 8     | 725-0925    | 1   | S     | Ammeter                   |
| 9     | 725-0994    | 1   | S     | Grounding Wire 14.0" Lg.  |
| 10    | 725-0453    | 1   | S     | 12 Volt Battery           |
| 11    | 725-0577    | 1   |       | Safety Switch             |
| 12    | 725-0916    | 1   | S     | Ground Wire               |
| 13    | 725-0222    | 1   | S     | Headlight                 |
| 14    | 725-1314    | 1   |       | Wire Harness (666)        |
|       | 725-1316    | 1   |       | Wire Harness (686)        |
| 15    | 725-1080    | 1   |       | Electric Wire 27.0" Lg.   |
| 16    | 725-0562    | 1   | S     | Electric Wire 32.5" Lg.   |
| 17    | 725-0771    | 1   | S     | Solenoid                  |
| 18    | 725-1303    | 1   | S     | Spring Switch             |



138-666-190 LT-120 (1988)  
Single Speed Transaxle Right Hand

Page 16 of 22

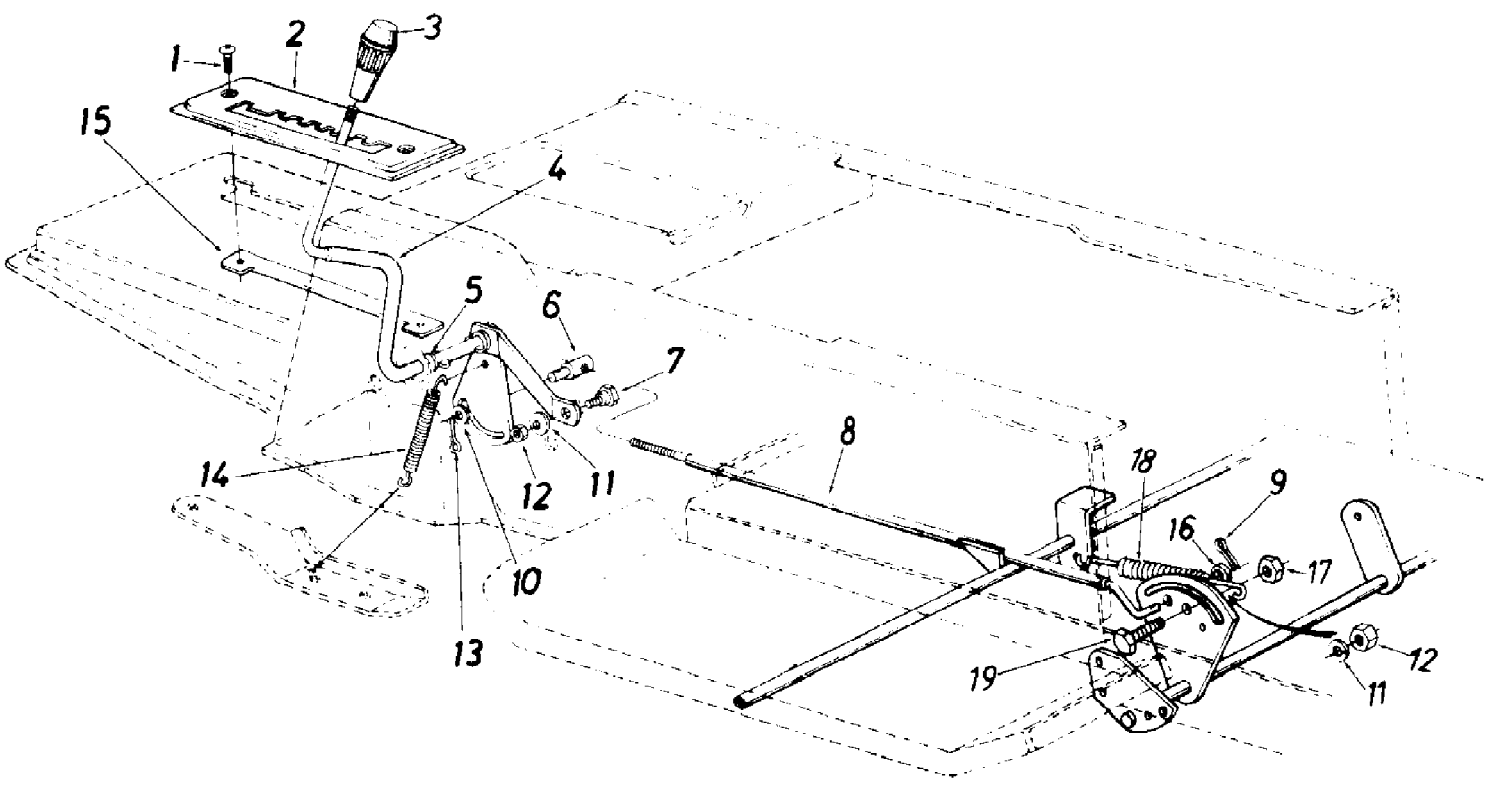
| Ref # | Part Number | Qty | S/P/F | Description                                |
|-------|-------------|-----|-------|--|
| 1     | 714-0129    | 1   | S     | #4 Hi-Pro Key 3/32 x 5/8" Dia.             |
| 2     | 716-0115    | 1   | S     | Snap Ring .625" Shaft                      |
| 3     | 710-0854    | 1   | S     | Hex Bolt 1/4-20 x 1.75" Lg.'               |
| 4     | 710-0809    | 1   |       | Hex Bolt 1/4-20 x 1.25" Lg.                |
| 5     | 717-0764    | 1   | S     | Upper Housing                              |
| 6     | 710-0642    | 1   | /P    | Hex FI-Bolt 1/4-20 x .75" Lg.              |
| 7     | 712-0287    | 1   | S     | Hex Nut 1/4-20 Thd.                        |
| 8     | 717-0634    | 1   | S     | Input Shaft                                |
| 9     | 721-0178    | 1   | S     | Square Seal 5/8" I.D.                      |
| 10    | 736-0335    | 1   | S     | Thrust Washer 5/8" I.D. x 1.25" O.D.       |
| 11    | 717-0633    | 1   | S     | Pinion Input 14T                           |
| 12    | 716-0108    | 1   | S     | Retaining Ring 7/16" Ext.                  |
| 13    | 717-0758    | 1   | S     | Drive Shaft-R.H.                           |
| 14    | 741-0336    | 1   | S     | Flange Brg. 5/8" I.D. x 3/4" Lg.           |
| 15    |             | 1   |       | FI-Wash.                                   |
|       | 736-0349    | 1   | S     | FI-Wash. 5/8" I.D. x 1.0" O.D. x .020 Thk. |
|       | 736-0336    | 1   | S     | FI-Wash. 5/8" I.D. x 1.0" O.D. x .030 Thk. |
|       | 736-0337    | 1   | S     | FI-Wash. 5/8" I.D. x 1.0" O.D. x .040 Thk. |
| 16    | 717-0757    | 1   |       | Bevel Gear 42T                             |
| 17    | 717-0667    | 1   | S     | Clutch Collar                              |
| 18    | 717-1020    | 1   | /P    | Miter Gear 15T                             |
| 19    | 716-0142    | 1   | S     | Snap Ring                                  |
| 20    | 717-0690    | 1   | S     | Thrust Bearing 1/2" I.D. x 1.0" O.D.       |
| 21    | 710-0862    | 1   | S     | Pan Head Scr. 1/4-20 x .50" Lg. w/Patch    |
| 22    | 717-1012    | 1   |       | Axle R.H.                                  |
| 23    | 741-0340    | 1   | S     | Sleeve Bearing 3/4 I.D. x 1.0" Lg.         |
| 24    | 721-0179    | 1   | S     | Oil Seal 3/4" I.D.                         |
| 25    | 741-0339    | 1   | S     | Flange Bearing 3/4" I.D. x 15/16" Lg.      |
| 26    | 736-0188    | 1   | /P    | FI-Wash. .760" I.D. x 1.49" O.D.           |
| 27    | 717-0673    | 1   | S     | Cross Shaft                                |
| 28    | 717-0777    | 1   | S     | Differential Housing Ass'y.                |
| 29    |             | 1   |       | Comes with Ref. 28                         |
| 30    | 717-1019    | 1   | S     | Miter Gear-H.D.                            |
| 31    | 712-0200    | 1   | S     | Hex Ins. L-Nut 1/2-20 Thd.                 |
| 33    | 736-0351    | 1   | S     | FI-Wash. .75" I.D. x 1.5" O.D.             |
| 34    | 717-0761    | 1   | S     | Lower Housing                              |
| 35    | 750-0555    | 1   |       | Spacer .53" O.D. x 318" Lg.                |
| 36    | 736-0329    | 1   | S     | L-Wash. 1/4" I.D.                          |
| 37    | 710-0886    | 1   | S     | Hex Bolt 1/4-20 x 1.50" Lg. (Grade 5)      |
| 38    | 712-0335    | 1   | S     | Castle Nut 5/16-24 Thd.                    |
| 39    | 736-0371    | 1   | /P    | FI-Wash. .34" I.D. x .875" O.D.            |
| 40    | 717-0700    | 1   | /P    | Actuating Arm-R.H.                         |
| 41    | 717-0679    | 1   |       | Brake Yoke                                 |
| 42    | 717-0682    | 1   | S     | Puck Plate                                 |
| 43    | 717-0678    | 1   | S     | Brake Puck                                 |
| 44    | 717-1011    | 1   |       | Axle L.H.                                  |
| 45    | 717-0677    | 1   | /P    | Brake Disc                                 |
| 46    | 741-0337    | 1   | S     | Flange Bearing 5/8" I.D. x 15/16" Lg.      |
| 47    | 714-0161    | 1   | S     | Woodruff Key 3/16 x 5/8 HT                 |
| 48    | 717-0754    | 1   | S     | Shift Fork Ass'y.                          |
| 49    | 741-0862    | 1   | /P    | Ball Detent .250" Dia.                     |
| 50    | 732-0863    | 1   | S     | Spring Detent                              |
| 51    | 714-0169    |     |       | Woodruff Key 3/16" x 3/4" Dia. HT          |



138-666-190 LT-120 (1988)  
Single Speed Transaxle Right Hand

Page 17 of 22

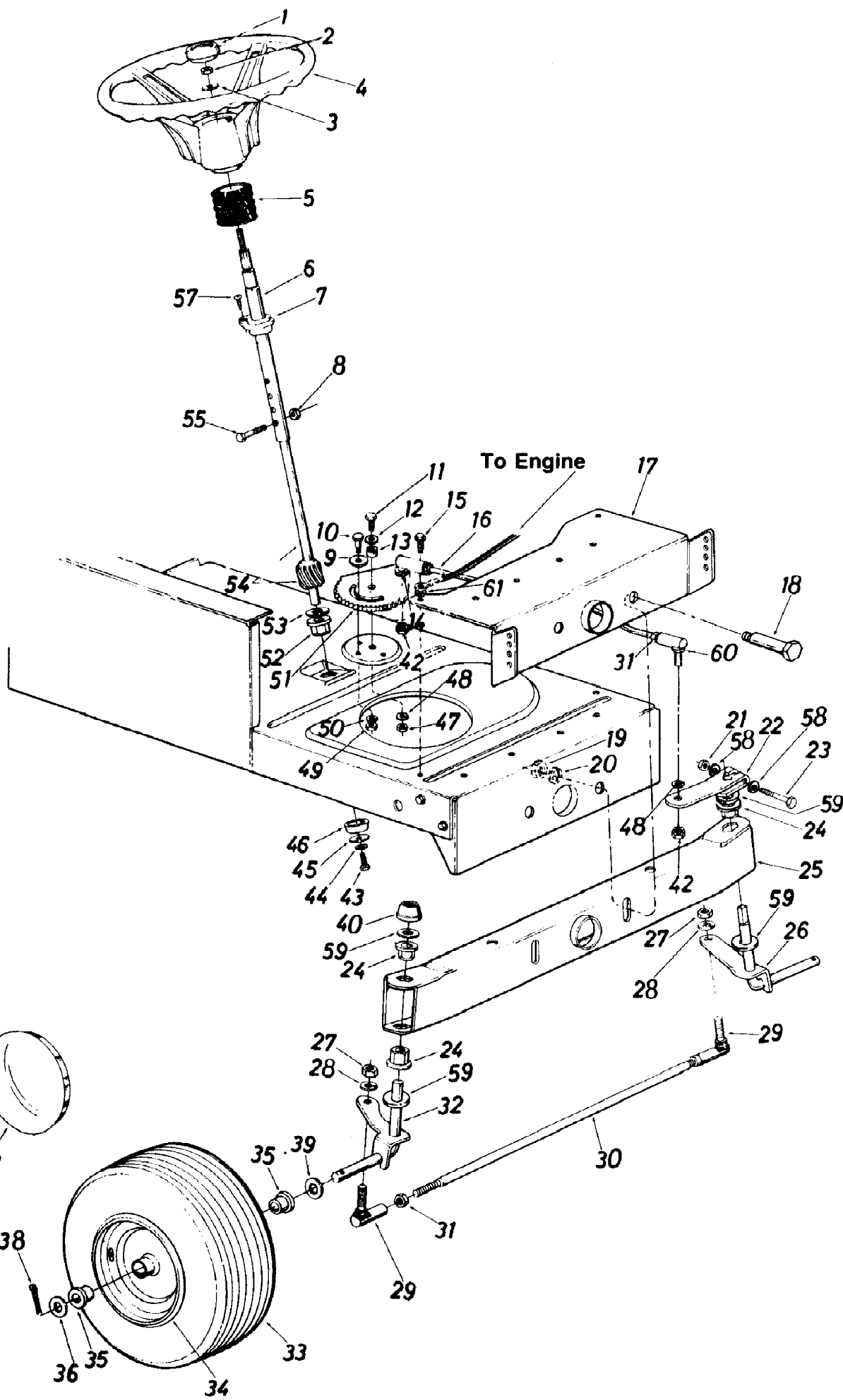
| Ref # | Part Number | Qty | S/P/F | Description                            |
|-------|-------------|-----|-------|--|
| 52    | 741-0335    | 1   | S     | Needle Brg. 5/8" I.D. x 1/2" Lg.       |
| 53    | 710-0855    | 1   | S     | Hex Bolt 1/4-20 x 1.00" Lg.            |
| 54    | 736-0336    | 1   | S     | Fl-Wash. 5/8" I.D. x .030              |
| 54A   | 736-0337    | 1   | S     | Fl-Wash. 5/8" I.D. x .040              |
|       | 736-0349    | 1   | S     | Fl-Wash. 5/8" I.D. x .020              |
| 55    | 741-0343    | 1   | S     | Actuating Pin 5/16" Dia.               |
| 56    | 710-0886    | 1   | S     | Hex Bolt 1/4-20 x 1.50" Lg. (Grade 5)  |
| 57    | 717-1059    | 1   | S     | Differential Gear 72T Ass'y. w/Bearing |
| 58    | 717-0796    | 1   | /P    | Sq. Hd. Bolt 5/16-24 Thd.              |
| 59    | 1544-013    | 1   | S     | Cotter Pin 3/32" Dia. x .50" Lg.       |
|       | 737-0148    | 1   | S     | Grease-Shell (10 oz.)                  |



138-666-190 LT-120 (1988)  
Speed Selector Assembly

Page 19 of 22

| Ref # | Part Number | Qty | S/P/F | Description                         |
|-------|-------------|-----|-------|-------------------------------------|
| 1     | 710-0924    | 1   | /P    | Truss Mach. Scr. 1/4-20 x .75" Lg.  |
| 2     | 16194       | 1   | S     | Speed Selector Plate 7-Speed        |
| 3     | 720-0218    | 1   | /P    | Shift Knob                          |
| 4     | 16192       | 1   | S     | Speed Selector Cam Ass'y.           |
| 5     | 736-0192    | 1   | S     | Flat Washer .53" I.D. x .93"        |
| 6     | 711-0198    | 1   | S     | Ferrule 3/8-24 x .37" Dia.          |
| 7     | 738-0155    | 1   | S     | Shoulder Bolt .435" Dia. x .160     |
| 8     | 16355       | 1   |       | Speed Control Rod Ass'y.            |
| 9     | 714-0507    | 1   | S     | Cotter Pin 3/32" Dia. x .75"        |
| 10    | 736-0140    | 1   | S     | FI-Wash. .385" I.D. x .62" O.D.     |
| 11    | 736-0119    | 1   | S     | L-Wash. 5/16" I.D.                  |
| 12    | 712-0267    | 1   | S     | Hex Nut 5/16-18 Thd.                |
| 13    | 714-0507    | 1   | S     | Cotter Pin 3/32 Dia. x .75"         |
| 14    | 732-0303    | 1   | S     | Spring                              |
| 15    | 16196       | 1   |       | Clamping Plate                      |
| 16    | 736-0226    | 1   | S     | FI-Wash. .47" I.D. x .88" O.D.      |
| 17    | 712-0158    | 1   | S     | Hex L-Nut 5/16-18 Thd.              |
| 18    | 732-0470    | 1   | S     | Ext. Spring 4.75" Lg.               |
| 19    | 710-0376    | 1   | /P    | Hex Bolt 5/16-18 x 1" Lg. (Grade 5) |



138-666-190 LT-120 (1988)  
Steering Assembly

Page 21 of 22

| Ref # | Part Number | Qty | S/P/F | Description                                     |
|-------|-------------|-----|-------|---|
| 1     | 731-0220    | 1   | S     | Steering Wheel Cap                              |
| 2     | 712-0237    | 1   | S     | Hex L-Nut 5/16-24 Thd.                          |
| 3     | 736-0242    | 1   | /P    | Belleville Wash. .345" I.D.                     |
| 4     | 731-0806    | 1   | S     | Steering Wheel                                  |
| 5     | 731-0559    | 1   | S     | Steering Bellow                                 |
| 6     | 16512       | 1   |       | Steering Column Ass'y.                          |
| 7     | 741-0356    | 1   |       | Flange Bearing .890 I.D. x 1.36 O.D.            |
| 8     | 712-0324    | 1   | /P    | Hex L-Nut 1/4-20 Thd.                           |
| 9     | 736-0319    | 1   | S     | FI-Wash. .438" I.D. x 1.37"                     |
| 10    | 738-0141    | 1   | S     | Shoulder Bolt .437" Dia. x .35 Lg. 5/16-18 Thd. |
| 11    | 710-0152    | 1   | S     | Hex Bolt 3/8-24 x 1.0" Lg. (Grade 5)            |
| 12    | 736-0219    | 1   | S     | Bell-Wash. .400" I.D. x 1.13"                   |
| 13    | 750-0535    | 1   | S     | Spacer .380" I.D. x .625" O.D.                  |
| 14    | 736-0169    | 1   | S     | L-Wash. 3/8" I.D.                               |
| 15    | 710-0726    | 1   | /P    | Hex Wash. Hd. Self-Tap Scr.                     |
| 16    | 711-0788    | 1   | S     | Steering Drag Link                              |
| 17    | 14619       | 1   |       | Front Pivot Brkt.                               |
| 18    | 738-0527    | 1   | S     | Shoulder Bolt 498" Dia. x 2.04 Lg. 3/8-16 Thd.  |
| 19    | 712-0798    | 1   | /P    | Hex Nut 3/8-16 Thd.                             |
| 20    | 736-0169    | 1   | S     | L-Wash. 3/8" I.D.                               |
| 21    | 712-0237    | 1   | S     | Hex Cent. L-Nut 5/16-24 0 Thd.                  |
| 22    | 16481       | 1   | S     | Steering Arm Front Axle                         |
| 23    | 710-0772    | 1   | /P    | Hex Bolt 5/16-24 x 2.00" Lg. (Grade 5)          |
| 24    | 741-0225    | 1   | S     | Hex Flg. Brg. .634 I.D.                         |
| 25    | 14608       | 1   | S     | Pivot Bar Ass'y.                                |
| 26    | 16479       | 1   | S     | Front Axle Ass'y.-L.H. (666)                    |
|       | 16480       | 1   | S     | Front Axle Ass'y.-L.H. (686)                    |
| 27    | 712-0241    | 1   | /P    | Hex Nut 3/8-24 Thd.                             |
| 28    | 736-0169    | 1   | S     | L-Wash. 3/8" I.D.                               |
| 29    | 723-3018    | 1   | S     | Ball Joint 3/8-24 Thd.                          |
| 30    | 711-0613    | 1   |       | Tie Rod   |
| 31    | 712-0711    | 1   | /P    | Hex Jam Nut 3/8-24 Thd.                         |
| 32    | 14650       | 1   | S     | Front Axle Ass'y.-R.H. (666)                    |
|       | 15840       | 1   | S     | Front Axle Ass'y.-R.H. (686)                    |
| 33    | 734-0863    | 1   | S     | Wheel Assembly Comp.                            |
| 34    | 734-0997    | 1   | S     | Front Wheel Rim Only                            |
| 35    | 741-0487    | 1   | S     | Bearing   |
| 36    | 736-0285    | 1   | /P    | FI-Wash. .635" I.D. x 1.59" O.D.                |
| 37    | 731-0541    | 1   |       | Front Wheel Hub Cap                             |
| 38    | 714-0470    | 1   | S     | Cotter Pin 1/8" Dia. x 1.25" Lg.                |
| 39    | 736-0187    | 1   | /P    | FI-Wash. .640" I.D. x .24" O.D.                 |
| 40    | 726-0214    | 1   | /P    | Push Cap 5/8" Dia. Rod                          |
| 42    | 712-0711    | 1   | /P    | Hex Jam Nut 3/8-24 Thd.                         |
| 43    | 710-0538    | 1   | /P    | Hex L-Bolt 5/16-18 x .62"                       |
| 44    | 736-0119    | 1   | S     | L-Wash. 5/16" I.D.                              |
| 45    | 736-0343    | 1   | /P    | FI Wash. .33" I.D. x 1.25" O.D.                 |
| 46    | 750-0532    | 1   | S     | Spacer (Plastic)                                |
| 47    | 712-0241    | 1   | /P    | Hex Nut 3/8-24 Thd.                             |
| 48    | 736-0169    | 1   | S     | L-Wash. 3/8" I.D.                               |
| 49    | 712-0267    | 1   | S     | Hex Nut 5/16-18 Thd.                            |
| 50    | 736-0119    | 1   | S     | L-Wash. 5/16" I.D.                              |

138-666-190 LT-120 (1988)  
Steering Assembly

Page 22 of 22

| Ref # | Part Number | Qty | S/P/F | Description                           |
|-------|-------------|-----|-------|---------------------------------------|
| 51    | 717-0622    | 1   | S     | Steering Gear Segment                 |
| 52    | 741-0225    | 1   | S     | Hex Flg. Brg. .634 I.D.               |
| 53    | 736-0187    | 1   | /P    | FI-Wash. (Hardened)                   |
| 54    | 738-0522    | 1   | S     | Steering Shaft Lower                  |
| 55    | 710-0958    | 1   | /P    | Hex Bolt 1/4-20 x 1.31" Lg.           |
| 57    | 710-0837    | 1   |       | Oval Hd. Cr.-Sunk Scr. #10 x 5/8" Lg. |
| 58    | 736-0271    | 1   | S     | Wave Wash. .32" I.D. x .62"           |
| 59    | 736-0187    | 1   | /P    | FI-Wash. (Hardened)                   |
| 60    | 723-3018    | 1   | S     | Drag Link Ball Joint 3/8-24 Thd.      |
| 61    | 736-0607    | 1   | /P    | Ext. L-Wash. 5/16" I.D.               |